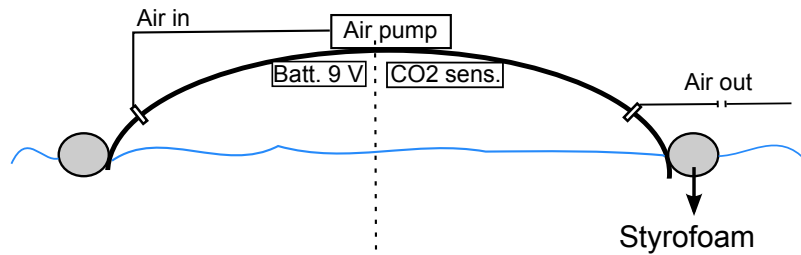
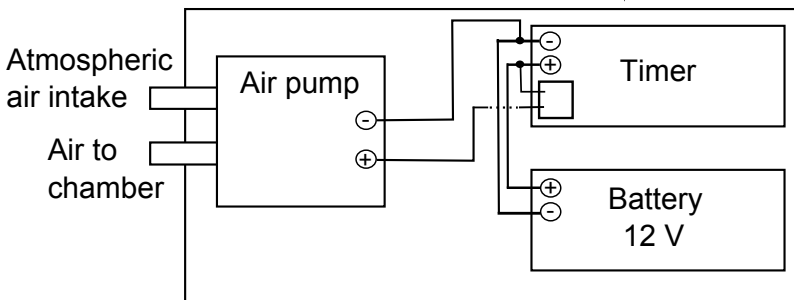


### Floating chamber cross section

(a)



### Exterior box with air-pump



### Floating chamber from above

