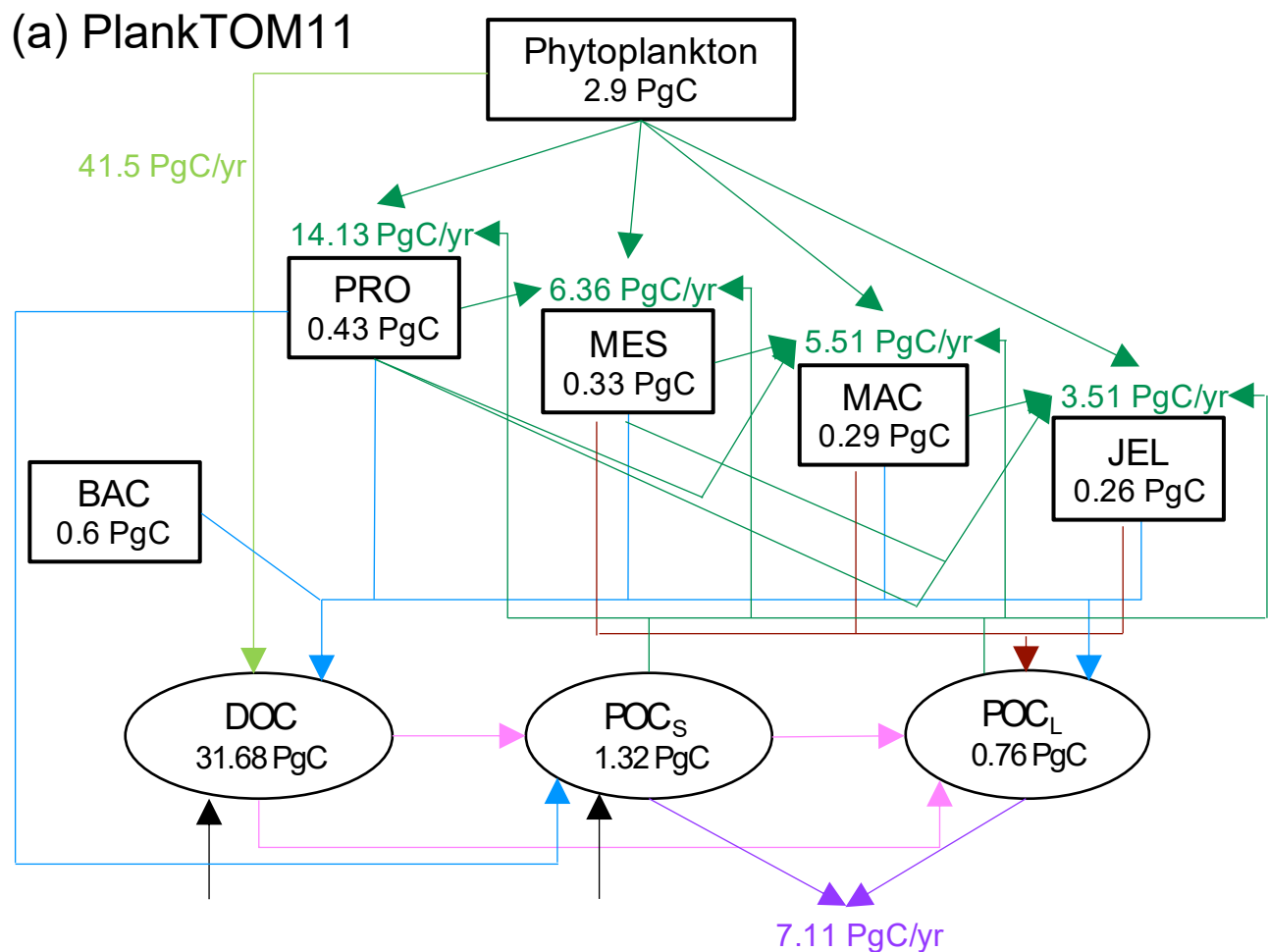


(a) PlankTOM11



(b) PlankTOM10/10.5

