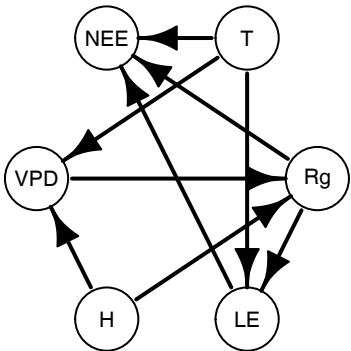
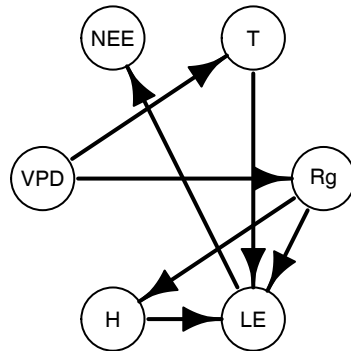


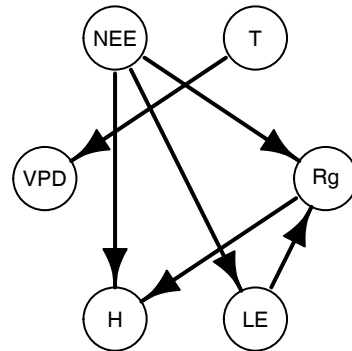
PC, $\alpha=0.1$
Pearson correlation



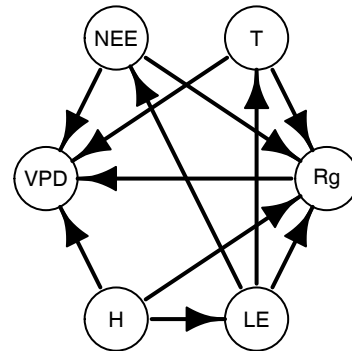
PC, $\alpha=0.01$
Spearman correlation



LiNGAM



GES



GES

