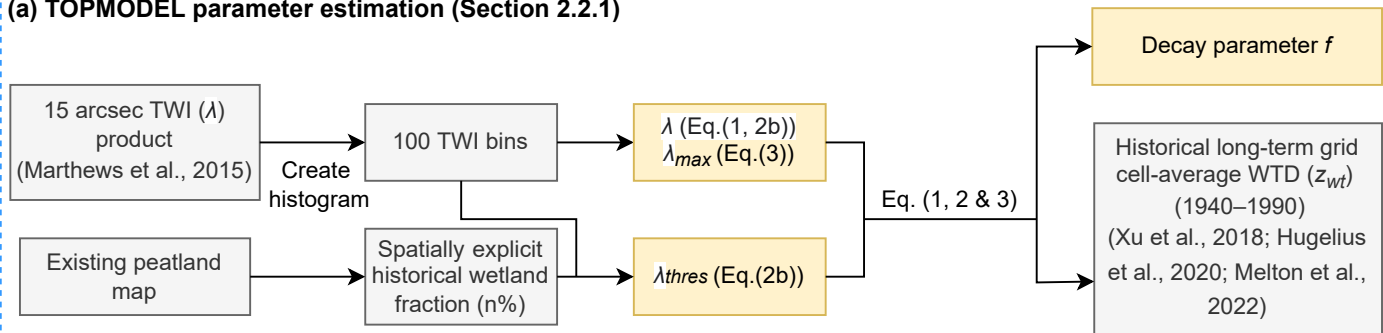
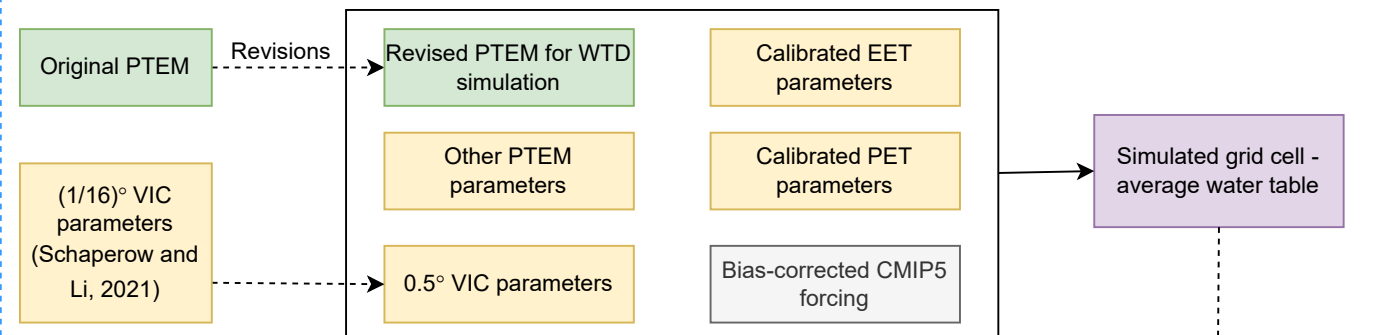


(a) TOPMODEL parameter estimation (Section 2.2.1)



(b) PTEM revisions and water table depth simulation



(c) Determining dynamic wetland fraction from water table depth simulation and TOPMODEL interpolation

