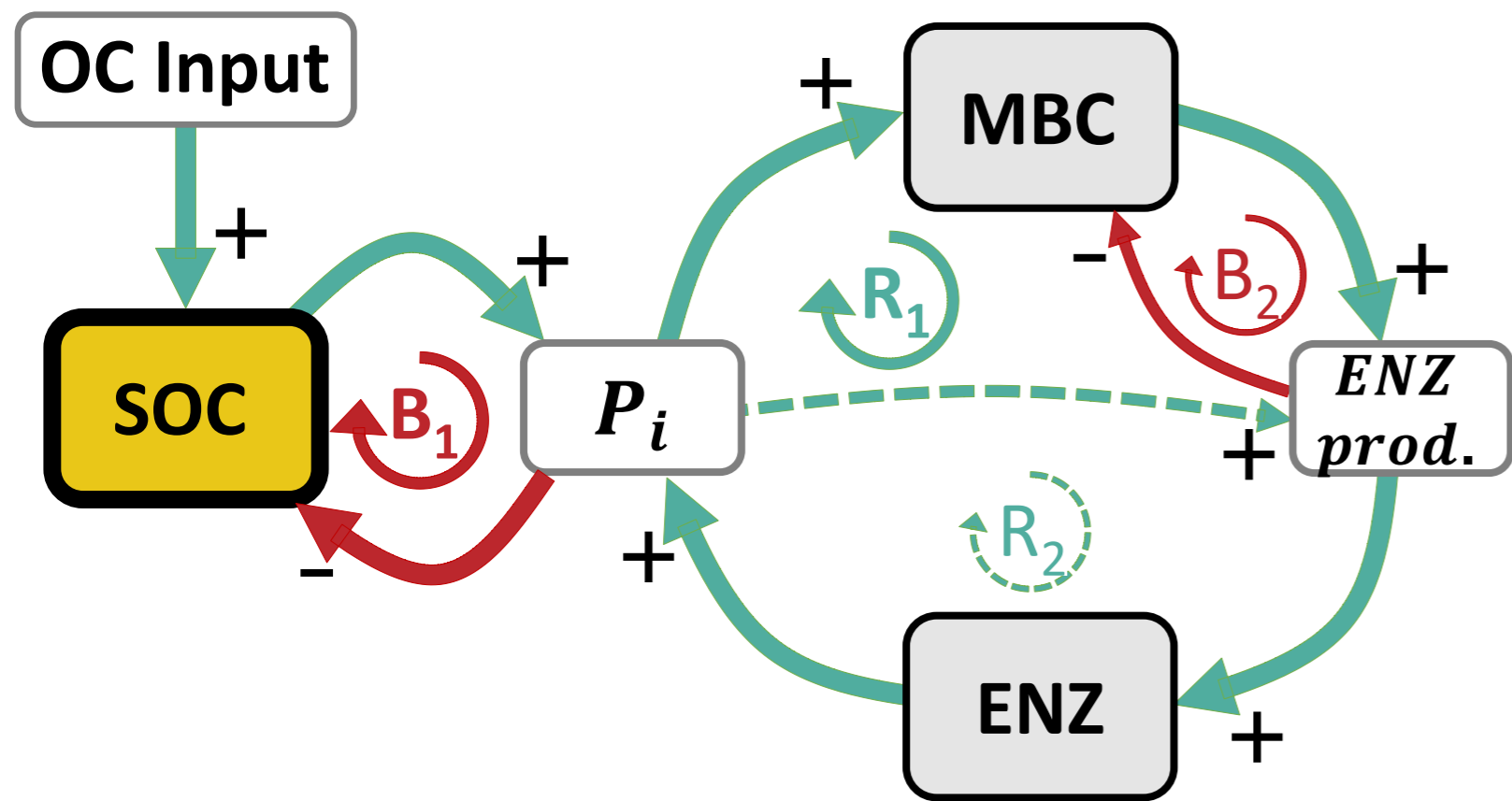
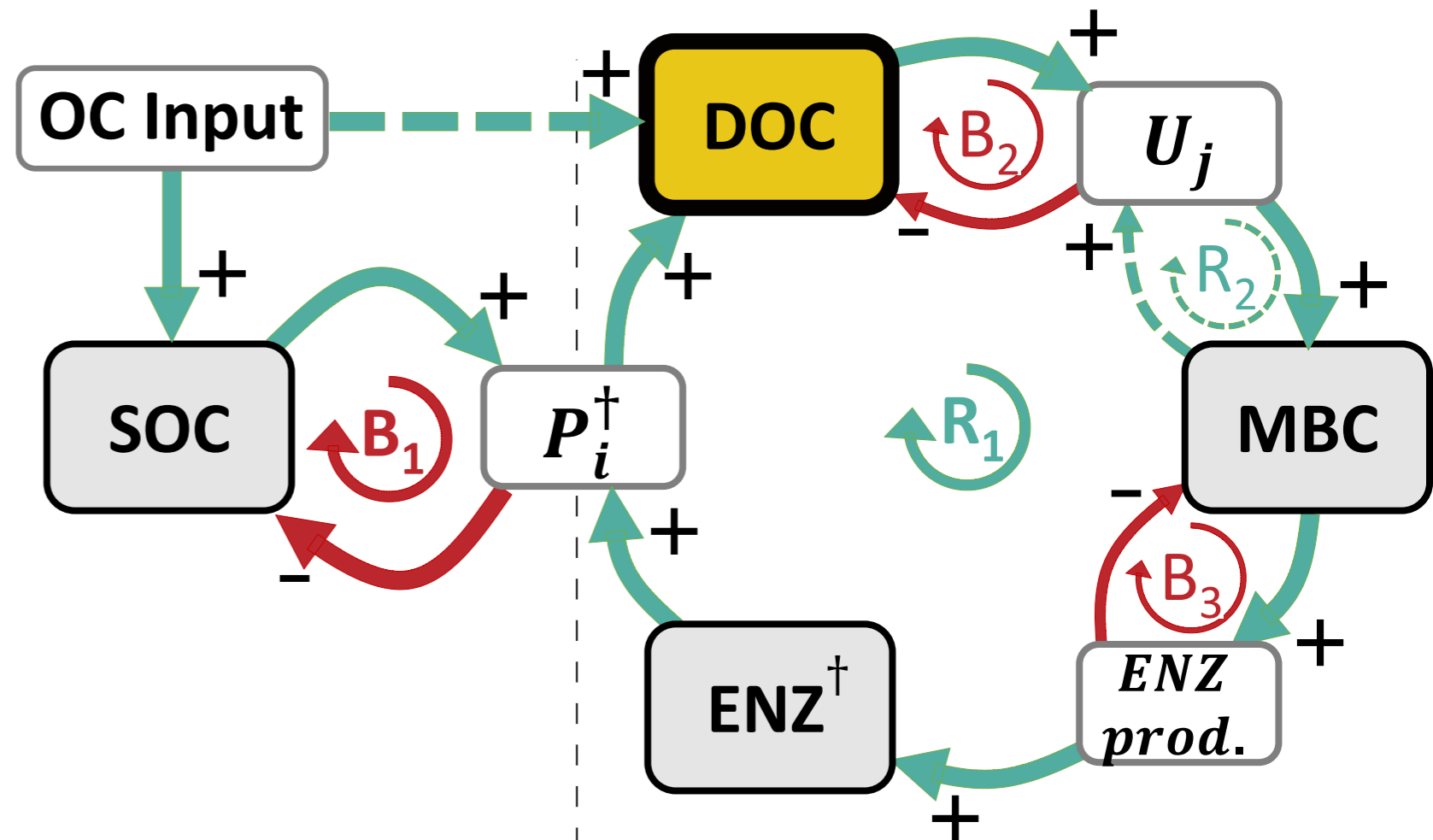


(a) *SBE*(b) *SDB(E)*

$$\left. \frac{\partial P_i^\dagger}{\partial S} \right|_*$$

$$\left. \frac{\partial P_i^{qss}}{\partial B} \right|_* \text{ or } \left. \frac{m_E}{d_E} \frac{\partial P_i}{\partial E} \right|_*$$

stable

unstable