

Supplementary material for Hayashida et al.

March 3, 2017

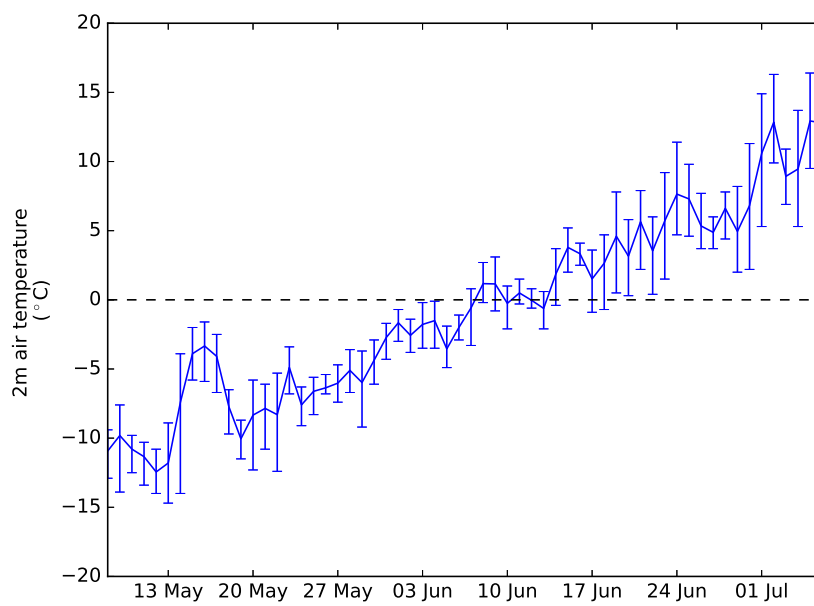
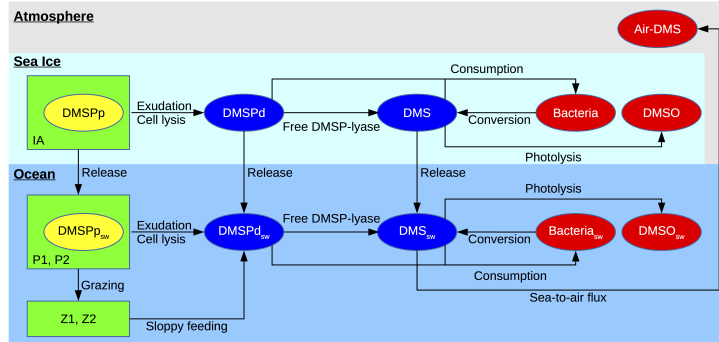
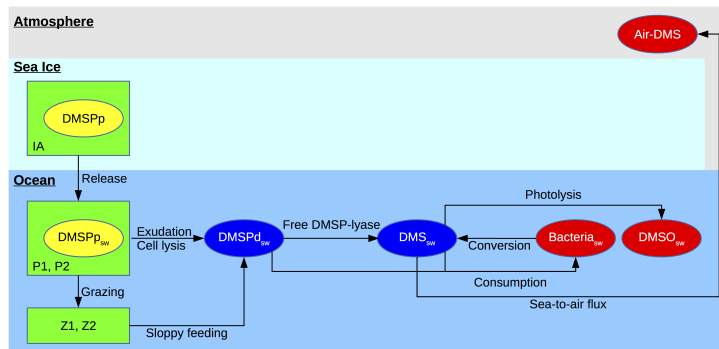


Figure S1: Time series of daily mean surface 2-m air temperature observed at Resolute airport during 2010. The upper and lower vertical bars associated with the daily mean values represent the daily maximum and minimum values, respectively.

(a) Standard



(b) NoIceSul



(c) NoIceBgc

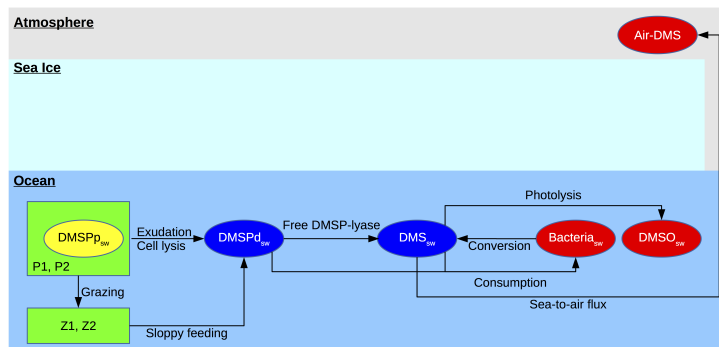


Figure S2: Comparison of model schematic among (a) the standard run, (b) the NoIceSul run, and (c) the NoIceBgc run.